



Pedalo

Design

Erlau in-house

Pedalo

Solid, elegant, secure. Formed steel tube with flexible plastic frame clamps. Available in single (Solo) and double (Duo) versions.

Pedalo Hi-Lo

Solid, space-saving, secure, for two bicycles, formed steel tube with flexible plastic frame clamps.

Special features

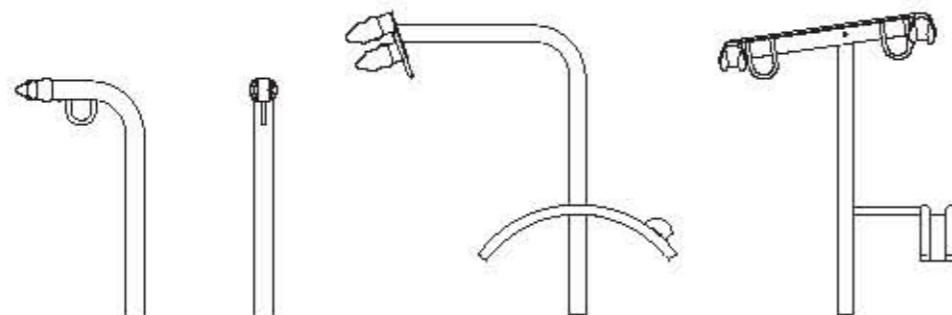
Pedalo and Pedalo Hi-Lo reduce damage to parked bicycles: flexible plastic frame clamps hold the bicycle in the correct parked position and steel locking-hoops provide a secure locking point.

Fixing options

1. Stationary: with circular baseplate.
2. Stationary: with extended support legs for embedding in concrete.

Dimensions (mm)

	Pedalo	Pedalo Hi-Lo
W	345	528
H	625	800



Technical concept: **Support and safety**
 Greatest challenge: **Tandems**
 Most frequent visitors: **People on the move**

Berlin

Design

Erlau in-house

Universal bicycle stand of formed steel tube with flexible plastic frame clamps, which may also be used as a normal support stand without using the frame clamps.

Special features

The bicycle can be easily locked to the stand; accommodates all types of bicycle.

Fixing options

1. Stationary: with circular baseplate.
2. Stationary: fixed to universal connecting rail.
3. Stationary: with extended support legs for embedding in concrete.

Dimensions (mm)

W	780
H	800

