



## Swingo

### Design

Erlau in-house

### Swingo

Seat and backrest of wire mesh in tubular steel frames, supporting structure of square tube and cast metal; galvanized and coated.

### Special features

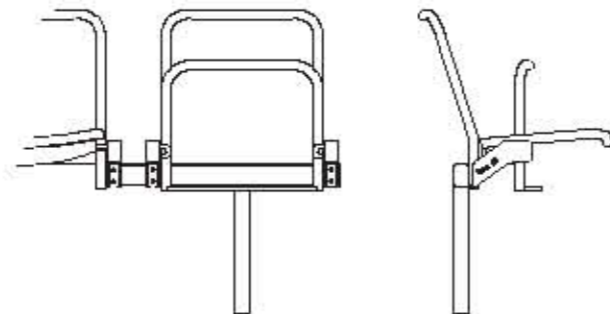
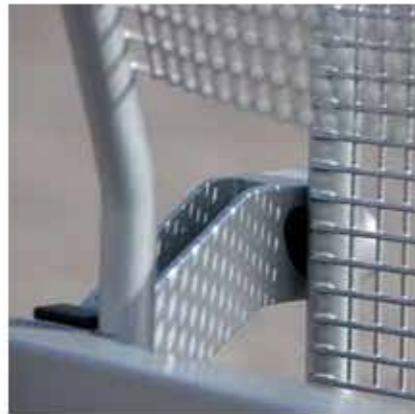
As a fold-up seat, Swingo has proven itself suitable for both indoors and out, especially where space-saving is called for.

### Fixing options

1. Stationary: with baseplates.
2. Stationary: fixed to a wall using an adapter bracket
3. Stationary: with extended support legs for embedding in concrete.
4. Movable.

### Dimensions (mm)

3-seater  
 W 1660  
 D 512  
 H 805



Typical setting: *Indoors as well as out*  
 Technical concept: *Peppy contours*  
 Greatest challenge: *Those who do not want to leave*

## Enano

### Design

Erlau in-house

### Enano-45°

Leaning seat surface of wire mesh in tubular steel frame, tubular steel support structure.

### Enano-Seat

Seat of wire mesh in tubular steel frame, tubular steel support structure.

### Enano-Table

Stand, including footrest-ring, of hot-dip galvanized steel tube; table surface of Rilsan-coated wire mesh.

### Special features

Due to its two seating variants, the Enano Seating Group allows for either relaxed standing or casual sitting in a raised position, with the possibility of comfortably resting ones' feet on the footrest-ring.

### Fixing options

1. Stationary: with extended support legs for embedding in concrete.
2. Stationary: with baseplates.

### Dimensions (mm)

|   | Straight seat | Seat 45° angle |
|---|---------------|----------------|
| ø | 250           | 250            |
| H | 740           | 900            |

| Table |      |
|-------|------|
| ø     | 500  |
| H     | 1100 |

